







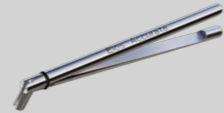











| Elos Accurate® | | IO Scan Body | Model Analogs | Model Analog Tool | Hybrid Base Engaging | Hybrid Base Non-Engaging | Prosthetic screw for straight channels | Prosthetic screw - hexalobular | Torque | | | | | |
|------------------------------------------|---------------------------------------------------|---------------|---------------|-------------------|----------------------|--------------------------|----------------------------------------|--------------------------------|----------------|-----------------|----------------|---------------------------------------|------------------------------|----------------|
| Implant System | Platform | IO | PMA | MA | AT | HBE | HBE-H | HBN | HBN-H | AS | Screwdriver: | AS hexalobular | Ncm: | |
| | | | | | | | | | | | | | | |
| CAMLOG | Camlog® | 3.3 | IO 9A-A | PMA-CAS33-1 | MA-CAS33-1 | AT-16-1 | | | | | | | | |
| | | 3.8 | IO 9A-B | PMA-CAS38-1 | MA-CAS38-1 | | | | | | | | | |
| | | 4.3 | IO 9A-C | PMA-CAS43-1 | MA-CAS43-1 | | | | | | | | | |
| | | 5.0 | IO9A-D | PMA-CAS50-1 | MA-CAS50-2 | | | | | | | | | |
| | 6.0 | IO9A-D | PMA-CAS60-1 | | | | | | | | | | | |
| | Camlog® Bar Abutment | 3.3-4.3 | IO 9B-A | PMA-CBA43-1 | MA-CBA43-1 | AT-16-1 | | | HBN-CBA43-1 | | | AS-CBAM1604A-1 | 15 Ncm | |
| | Ankylos® | 3.5-7.0 | IO 8B-A | PMA-DAN35/70-1 | MA-DAN35/70-1 | AT-18-1 | | | | | | | | |
| | Ankylos Balance Base Abutment | BB NP | IO 8C-A | PMA-DBA40-1 | MA-DBA40-1 | AT-16-1 | | | HBN-DBA40-1 | HBN-DBA40H-1 | AS-DBAM1605POS | | AS-DBAM1605A-1 | 10 Ncm |
| DENTSPLY SIRONA | Astra Tech Implant System | 3.0 | IO 3A-A | PMA-ATO30-1 | MA-ATO30-1 | AT-14-1 | HBE-ATO30-1 | | | | AS-ATOM148POS | "0.050" Hex screwdriver" | AS-ATOM1408A-1 | 15 Ncm |
| | | 3.5/4.0 | IO 3A-B | PMA-ATO35-1 | MA-ATO35-1 | AT-16-1 | HBE-ATO35/40-1 | HBE-ATO35/40H-1 | | | AS-ATOM168POS | | AS-ATOM1608A-1 | 20 Ncm |
| | | 4.5/5.0 | IO 3A-C | PMA-ATO45-1 | MA-ATO45-1 | AT-20-1 | HBE-ATO45/50-1 | HBE-ATO45/50H-1 | | | AS-ATOM2010POS | | AS-ATOM2010A-1 | 25 Ncm |
| | Astra Tech UniAbutment | 20° | IO 3D-B | PMA-ATU20-1 | MA-ATU20-1 | AT-14-1 | | | HBN-ATU20-1 | HBN-ATU20H-1 | | | AS-ATUM1405A-1 | 15 Ncm |
| | | 45° | IO 3D-C | PMA-ATU45-1 | MA-ATU45-1 | | | | HBN-ATU45-1 | | | | | |
| | Astra Tech Implant System EV | 3.0 | IO 3B-A | PMA-ATE30-1 | MA-ATE30-1 | AT-14-1 | HBE-ATE30-1 | | | | AS-ATEM148POS | "0.050" Hex screwdriver" | AS-ATEM1408A-1 | 25 Ncm |
| | | 3.6 | IO 3B-B | PMA-ATE36-1 | MA-ATE36-1 | AT-16-1 | HBE-ATE36-1 | HBE-ATE36H-1 | | | AS-ATEM168POS | | AS-ATEM1608A-1 | |
| | | 4.2 | IO 3B-C | PMA-ATE42-1 | MA-ATE42-1 | AT-18-1 | HBE-ATE42-1 | HBE-ATE42H-1 | | | AS-ATEM188POS | | AS-ATEM1808A-1 | |
| | | 4.8 | IO 3B-D | PMA-ATE48-1 | MA-ATE48-1 | AT-20-1 | HBE-ATE48-1 | HBE-ATE48H-1 | | | AS-ATEM208POS | | AS-ATEM2008A-1 | |
| | Astra Tech Implant System Profile EV | 4.2 | IO 3C-A | PMA-ATE42P-1 | MA-ATE42P-1 | AT-18-1 | | | | | | | | |
| 4.8 | | IO 3C-B | PMA-ATE48P-1 | MA-ATE48P-1 | AT-20-1 | | | | | | | | | |
| Astra Tech Implant System UniAbutment EV | UA33° | IO 3D-A | PMA-AUE33-1 | MA-AUE33-1 | AT-18-1 | | | HBN-AUE33-1 | HBN-AUE33H-1 | | | AS-AUEM1805A-1 | 15 Ncm | |
| XIVE® | Xive® | 3.0 | IO 8A-A | PMA-DXI30-1 | MA-DXI30-1 | AT-14-1 | | | | | | | | |
| | | 3.4 | IO 8A-B | PMA-DXI34-1 | MA-DXI34-1 | AT-16-1 | | | | | | | | |
| | | 3.8 | IO 8A-C | PMA-DXI38-1 | MA-DXI38-1 | | | | | | | | | |
| | | 4.5 | IO 8A-D | PMA-DXI45-1 | MA-DXI45-1 | | | | | | | | | |
| | | 5.5 | IO 8A-D | PMA-DXI55-1 | | | | | | | | | | |
| | | | | | | | | | | | | | | |
| NEOSS | Neoss® Access Abutment | | IO 1B-A | PMA-NAC40-1 | MA-NAC40-1 | AT-20-1 | | | | | | | | |
| | Neoss Implant System | 3.25 | IO 1A-B | PMA-NIS33-1 | MA-NIS33-1 | AT-16-1 | | | | | | | | |
| NOBEL BIOCARE | Brånemark System | 3.3/3.5 NP | IO 6A-A | PMA-BRA35-1 | MA-BRA35-1 | AT-16-1 | HBE-BRA35-1 | | HBN-BRA35-1 | | AS-BRAM167POS | Nobel Biocare Unigrip | AS-BRAM1607A-1 | 35 Ncm |
| | | 3.75/4.0 RP | IO 6A-B | PMA-BRA41-1 | MA-BRA41-1 | AT-20-1 | HBE-BRA41-1 | HBE-BRA41H-1 | HBN-BRA41-1 | HBN-BRA41H-1 | AS-BRAM207POS | | AS-BRAM2007A-1 | |
| | | 5.0/5.5 WP | IO 6A-C | PMA-BRA51-1 | MA-BRA51-1 | AT-25-1 | HBE-BRA51-1 | | HBN-BRA51-1 | | AS-BRAM257POS | | AS-BRAM2507A-1 | |
| | Nobel Biocare® Conical Connexion and NobelActive® | 3.0 | IO 2B-D / SA | PMA-NBA30-1 | MA-NBA30-1 | AT-14-1 | HBE-NBA30-1 | | | | AS-NBAM1407POS | Nobel Biocare Unigrip | AS-NBAM1407A-1 | 15 Ncm |
| | | 3.5/3.75 NP | IO 2B-A / SA | PMA-NBA35-1 | MA-NBA35-1 | AT-16-1 | HBE-NBA35-1 | HBE-NBA35H-1 | HBN-NBA35-1 | HBN-NBA35H-1 | AS-NBAM168POS | | AS-NBAM1608A-1 | |
| | | 4.3/5.0 RP | IO 2B-B / SA | PMA-NBA43-1 | MA-NBA43-1 | AT-20-1 | HBE-NBA43-1 | HBE-NBA43H-1 | HBN-NBA43/50-1 | HBN-NBA43/50H-1 | AS-NBAM207POS | | AS-NBAM2007A-1 | |
| | Nobel Biocare® Multi-Unit Abutment | 5.5 WP | IO 2B-C / SA | PMA-NBA60-1 | MA-NBA60-1 | AT-20-1 | HBE-NBA60-1 | HBE-NBA60H-1 | HBN-NBA60-1 | | | | | |
| | | NP/RP | IO 2C-A | PMA-MUA45-1 | MA-MUA45-1 | AT-14-1 | | | HBN-MUA45-1 | HBN-MUA45H-1 | AS-MUAM1403POS | AS-MUAM1403A-1 | 15 Ncm | |
| | NobelReplace® | NobelReplace® | WP | IO 2C-B | PMA-MUA60-1 | MA-MUA60-1 | AT-18-1 | | | HBN-MUA60-1 | | AS-MUAM1804POS | AS-MUAM1804A-1 | |
| | | | 3.5 NP | IO 2A-A | PMA-NBR35-1 | MA-NBR35-1 | AT-18-1 | HBE-NBR35-1 | HBE-NBR35H-1 | HBN-NBR35-1 | HBN-NBR35H-1 | AS-NBRM1808POS | AS-NBRM1808A-1 | |
| 4.3 RP | | | IO 2A-B | PMA-NBR43-1 | MA-NBR43-1 | AT-20-1 | HBE-NBR43-1 | HBE-NBR43H-1 | HBN-NBR43-1 | HBN-NBR43H-1 | AS-NBRM2010POS | Nobel Biocare Unigrip | AS-NBRM2010A-1 | 35 Ncm |
| 5.0 WP | | | IO 2A-C | PMA-NBR50-1 | MA-NBR50-1 | | HBE-NBR50-1 | | HBN-NBR50-1 | | | | | |
| 6.0 | IO 2A-D | PMA-NBR60-1 | MA-NBR60-1 | | HBE-NBR60-1 | | HBN-NBR60-1 | | | | | | | |
| STRAUMANN | Straumann® Bone Level | 3.3 NC | IO 4A-A | PMA-SBO33-1 | MA-SBO33-1 | AT-16-1 | HBE-SBO33-1 | HBE-SBO33H-1 | HBN-SBO33-1 | | AS-SBOM1608POS | AS-SBOM1608A-1 | 35 Ncm | |
| | | 4.1/4.8 RC | IO 4A-B | PMA-SBO41-1 | MA-SBO41-1 | | HBE-SBO41/48-1 | HBE-SBO41/48H-1 | HBN-SBO41/48-1 | | | | | |
| | Straumann® Screw-retained Abutment | 3.5 | IO 4D-A | PMA-SSA35-1 | MA-SSA35-1 | AT-14-1 | | | HBN-SSA35-1 | HBN-SSA35H-1 | | | AS-SSAM1404A-1 | 15 Ncm |
| | | 4.6 | IO 4D-B | PMA-SSA46-1 | MA-SSA46-1 | | | | HBN-SSA46-1 | HBN-SSA46H-1 | | | | |
| Straumann® Standard and Standard Plus | Straumann® Standard and Standard Plus | 3.5 NNC | IO 4C-A | | | AT-20-1 | | | | | | | | |
| | | 4.8 RN | IO 4B-A | PMA-SSY48-1 | MA-SSY48-1 | | HBE-SSY48-1 | HBE-SSY48H-1 | HBN-SSY48-1 | HBN-SSY48H-1 | AS-SSYM207POS | AS-SSYM2007A-1 | 35 Ncm | |
| | | 6.5 WN | IO 4B-B | PMA-SSY65-1 | MA-SSY65-1 | | HBE-SSY65-1 | HBE-SSY65H-1 | HBN-SSY65-1 | | | | | |
| ZIMMER BIOMET | Certain® Internal Connection | 3.4 | IO 7B-A | PMA-BCE34-1 | MA-BCE34-1 | AT-16-1 | HBE-BCE34-1 | | | | AS-BCEM168POS | "0.050" (1.25 mm) Hex screwdriver" | AS-BCEM1608A-1 | 20 Ncm |
| | | 4.1 | IO 7B-B | PMA-BCE41-1 | MA-BCE41-1 | | HBE-BCE41-1 | | | | | | | |
| | | 5.0 | | PMA-BCE50-1 | MA-BCE50-1 | | HBE-BCE50-1 | | | | | | | |
| | | 6.0 | | PMA-BCE60-1 | MA-BCE60-1 | | HBE-BCE60-1 | | | | | | | |
| | External Hex Connection | 3.4 | | IO 7A-A | PMA-BEH34-1 | MA-BEH34-1 | AT-20-1 | | | | | | | |
| | | 4.1 | IO 7A-B | PMA-BEH41-1 | MA-BEH41-1 | | | | | | | | | |
| | | 5.0 | | PMA-BEH50-1 | MA-BEH50-1 | | | | | | | | | |
| | | 6.0 | | PMA-BEH60-1 | MA-BEH60-1 | | | | | | | | | |
| Tapered Screw-Vent® Implant | Tapered Screw-Vent® Implant | 3.5 | | IO 5A-A | PMA-ZSV35-1 | MA-ZSV35-1 | AT-18-1 | HBE-ZSV35-1 | | HBN-ZSV35-1 | | AS-ZSVM1808POS | "1.25 mm Hex screwdriver" | AS-ZSVM1808A-1 |
| | | 4.5 | IO 5A-B | PMA-ZSV45-1 | MA-ZSV45-1 | HBE-ZSV45-1 | | | HBN-ZSV45-1 | | | | | |
| | | 5.7 | IO 5A-C | PMA-ZSV57-1 | MA-ZSV57-1 | HBE-ZSV57-1 | | | HBN-ZSV57-1 | | | | | |

Important information about IO and IO SA We have started a project of phasing out the mark of SA from our article numbers. This change means no difference in the physical product, and the same library as previously shall be used in the software. As of October 1, 2018 the libraries have been updated to for example, IO 3A-B/IO 3A-B SA. *The only scan body that will not be affected by this update are the ones used for Nobel Active/ CC, which will continue to have two choices for each platform; with and without the SA designation. In these cases, it is important to choose the same version in the library as on the product used, whether used intraorally or in the lab.

Elos Accurate® Instruments

| | | | | | |
|---------------------------------------|--------------------------------------------------------------------------------------|-------------------------------------------------------------------------------------|---------------------------------------------------------------------------------------|-------------------------------------------------------------------------------------|-------------------------------------------------------------------------------------|
| Elos Accurate® Scan Body Driver |  |  |  | | |
| | C13048 | C13485 | C18512 | | |
| Elos Accurate® Model Analog Tool |  |  |  |  |  |
| | AT-14-1 | AT-16-1 | AT-18-1 | AT-20-1 | AT-25-1 |
| Elos Accurate® Analog Pliers |  | | | | |
| | PMA-AIT-1 | | | | |
| Elos Accurate® Analog Insertion Pin |  | | | | |
| | PMA-AIP-2 | | | | |
| Elos Accurate® Analog Insertion Screw |  | | | | |
| | PMA-AIS-5 | | | | |
| Elos Accurate® Prosthetic Screwdriver |  |  |  | | |
| | PS-AH18-1 | PS-AH26-1 | PS-AH34-1 | | |
| Elos Driver |  |  |  | | |
| | C8381 | C8382 | C8830 | | |
| Elos Torque Wrench Kit |  | | | | |
| | C19669 | | | | |

